



SECURITY

Trace detection, desk & handheld

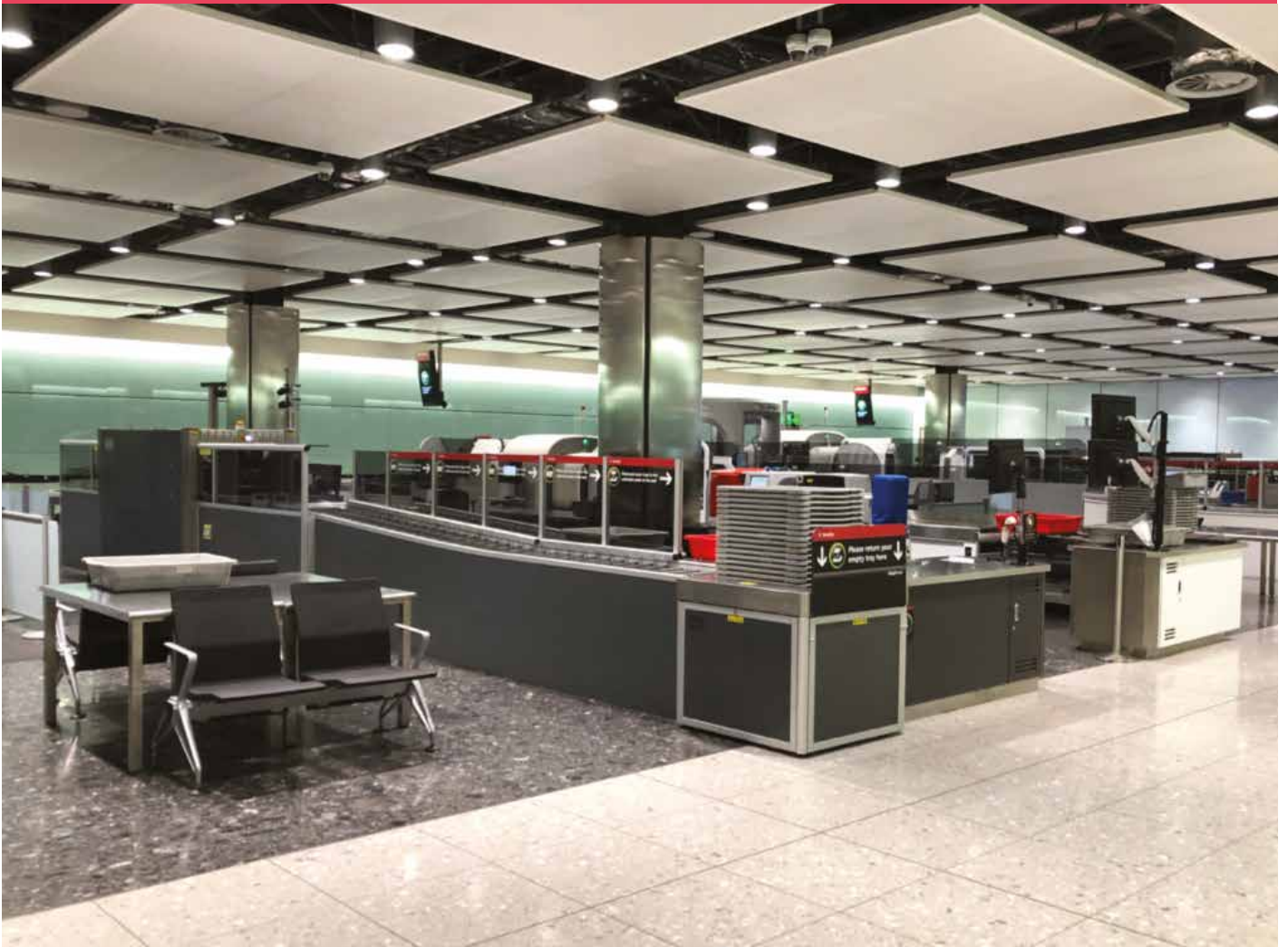
X-Ray cabin baggage scanners

User consoles - x-ray

Public area recycling bins



PRIVATE TREATY SALE ENDING 31 JULY 2020



About Us

CAGP

Established in 1997, CA Global partners is a global company providing equipment management and capital recovery solutions to leaders in technology, finance and industry.

Airport Assets

Airport Assets is a CAGP owned and operated portal project dedicated to the sale of excess airport assets globally. Together we have produced a brochure which offers used equipment sourced from UK airports and beyond. Our most recent issue, in June 2020 contains used security equipment at a hugely discounted price. We can offer maintenance, installation and delivery options through our service partner RedTeq Analytical, contact us for a quote.

We are accepting offers on this equipment until 31 July 2020, viewings are available by appointment.*

Covid 19

To all of our valued customers and clients, we hope you are well and safe. We are taking a number of steps to address the challenges presented by the Covid-19 pandemic.

The health and well-being of our employees and clients remains our highest priority and we are doing all we can to safeguard them during this time.

Given the unprecedented challenge we're all facing as a result of coronavirus, we wanted to update you on what Airport Assets is doing to respond. We know the measures being put in place to contain the virus will be impacting your operations and as a result, you may need to restrict capital spend.

How can we help?

Airport assets can supply, where possible, a cost effective used supply chain of security assets to enable your airport to continue through the uncertainty.

* All inspections will be subject to current social distancing & PPE recommendations. Please contact us for more details.

Contents

Page



RAPISCAN/Morpho itemiser 4DX

04



Smiths Detection 6040aTix dual view X-ray machine

05



Smiths Sabre EXV

06



Operator consoles



Lesco public area recycling bins

Introducing RedTeQ 07

Sustainability 08

Contact us 09



Used

RAPISCAN/Morpho itemiser 4DX

ver C10.06.11-CEP explosive detection



Using a Non-Radioactive ionization source, Itemiser 4DX can detect threat explosives in passenger baggage security.

ECAC fully compliant

Operational and ready for immediate delivery - globally

Private treaty sale, offers from

£5,000 each

5+ units available



Operational history of units for sale
 Manufactured 2017/18, operational 2018- mid 2019.
 Units available with sample count between 3k and 16K passengers.

Key Features

COST EFFECTIVE

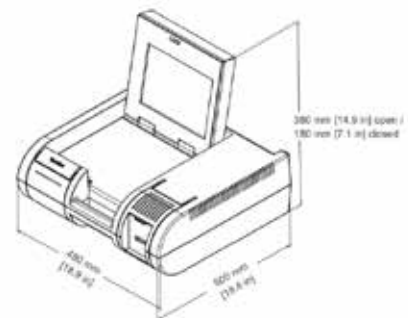
Automated internal calibration eliminates cost of purchasing and managing calibration traps. Folding monitor screen automatically shuts off backlight to extend life of display. Regenerative dryer increases uptime and eliminates cost of monthly dryer material replacements. Decreases labour required to initiate and manage maintenance.

EASE OF USE

Non-radioactive ionization source removes shipping restrictions and licensing requirements. Built in printer for fast hard copy results or printing later. Quick analysis and results in approximately 8 seconds. On-board software keypad and help files. Automated, push-button maintenance can be scheduled. Easily accessible maintenance items. Ability to create custom substance libraries.

PORTABILITY

Lightweight (28.65 lb/12.99 kg) with built-in handle for easy transport. Internal, one-hour battery allows instrument relocation without shut off, eliminating warmup time.



smiths detection

Used

Smiths Detection 6040aTix dual view X-ray machine

Fully operational and serviced, installed with new hard drive containing software Hx-03-10W, documented radiation safety checks .

Ready for immediate delivery - globally

Private treaty sale, offers from

£5,000 each

3+ units available

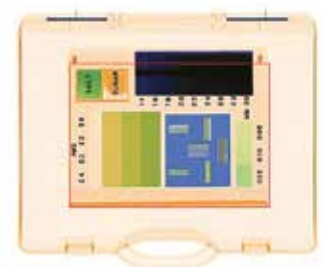
**SALE
ENDING
31 JULY
2020**



Dimensions-mm
Library picture,

Operational history
 Manufactured 2007, operating since 2008-2015, Generators have been typically replaced through maintenance schedules 2012-2014 (+- years average) - last full operational switch on June 2020.

Available option enhancements:
 Super enhancement, Hi-Tip+, X-plore, Hi-Spot, Opti-zoom, IMS, High density alert.



Actual test x-ray image

smiths detection

Used

Smiths Sabre EXV

Liquid trace detection

Firmware 1.0.1.002

Fully operational & serviced with battery and mains power supply, 1 litre bag compliant, documented radiation safety checks.

Private treaty sale, offers from

£1,000 each

3+ units available

**SALE
ENDING
31 JULY
2020**



Used

Operator consoles

Adjustable Smiths iLane consoles, single /dual screens available.

Private treaty sale, offers from

£500 each

5+ units available

**SALE
ENDING
31 JULY
2020**



Used

Lesco public area recycling bins

Stainless steel with galvanised steel inner liner.

Private treaty sale, offers from

£100 each

3+ units available

Overall dimensions:

500mm (w) x 750mm (h) x 400mm (d)

Weight: 28 Kg approximately

**SALE
ENDING
31 JULY
2020**





Introducing our service partner, RedteQ Analytical Ltd

RedteQ Analytical Ltd are a UK-based company that provide worldwide service support to many clients across the world.

We are an independent global service provider on security equipment sales, installation, servicing & repairs

The products we support are X-ray screening, Tray Return Systems, Explosives and Drug trace Detection equipment, Metal Detectors & Body Scanners..

Our quality of workmanship is of the highest class as expected for the equipment we maintain and support. We always put the customers first and adapt to their needs, we are unique in that we can be as flexible as we like to adjust anything for the customer's requirements.

RedteQ Installation, Servicing and Repairs include:

- + X-ray equipment
- + Tray Return Systems
- + Explosives/Narcotics detection equipment
- + Metal Detection



RedteQ Analytical Ltd
Alan Redpath
Senior Engineer

“ RedteQ have worked with CAGP for a number of years, successfully preparing, delivering, installing and training customers on their equipment purchased.

We believe CAGPs goal of sustainability and selling surplus equipment is the future for aviation security, why buy new when you can buy used equipment that performs the same task that the current new model provides. ”

RedteQ[®]
Security Equipment Maintenance Services





Providing sustainability in the security sector

Airport Assets is committed to providing a sustainable procurement avenue for the airport industry and beyond.

We believe that purchasing quality used assets will help your organisation achieve sustainable and commercial benefits including;

- + Value for money
- + Enhancement of your company's sustainability policy
- + Protection and enhancement of the environment
- + Creating a flexible and diverse future supply chain
- + Demonstrating budget responsibility for share holders

If you have security items to sell, asset rationalisation can help in your sustainable & environment foot print goals by providing the following benefits:

- + Generate revenue from redundant assets
- + Reduce recycling and extraction costs
- + Offset project decommissioning costs
- + Reduce volume of assets scrapped

Next steps to achieve your environmental and sustainable responsibilities

Contact Airport Assets if you have assets to buy or sell simple.

Call: +44 (0)845 163 0580





Dan Main

Mobile: +44 (0) 7422 358348

Email: dmain@cagp.com

Location: London (UK)

Tel: +44(0)845 163 0580



Andrew Pedley-Burns

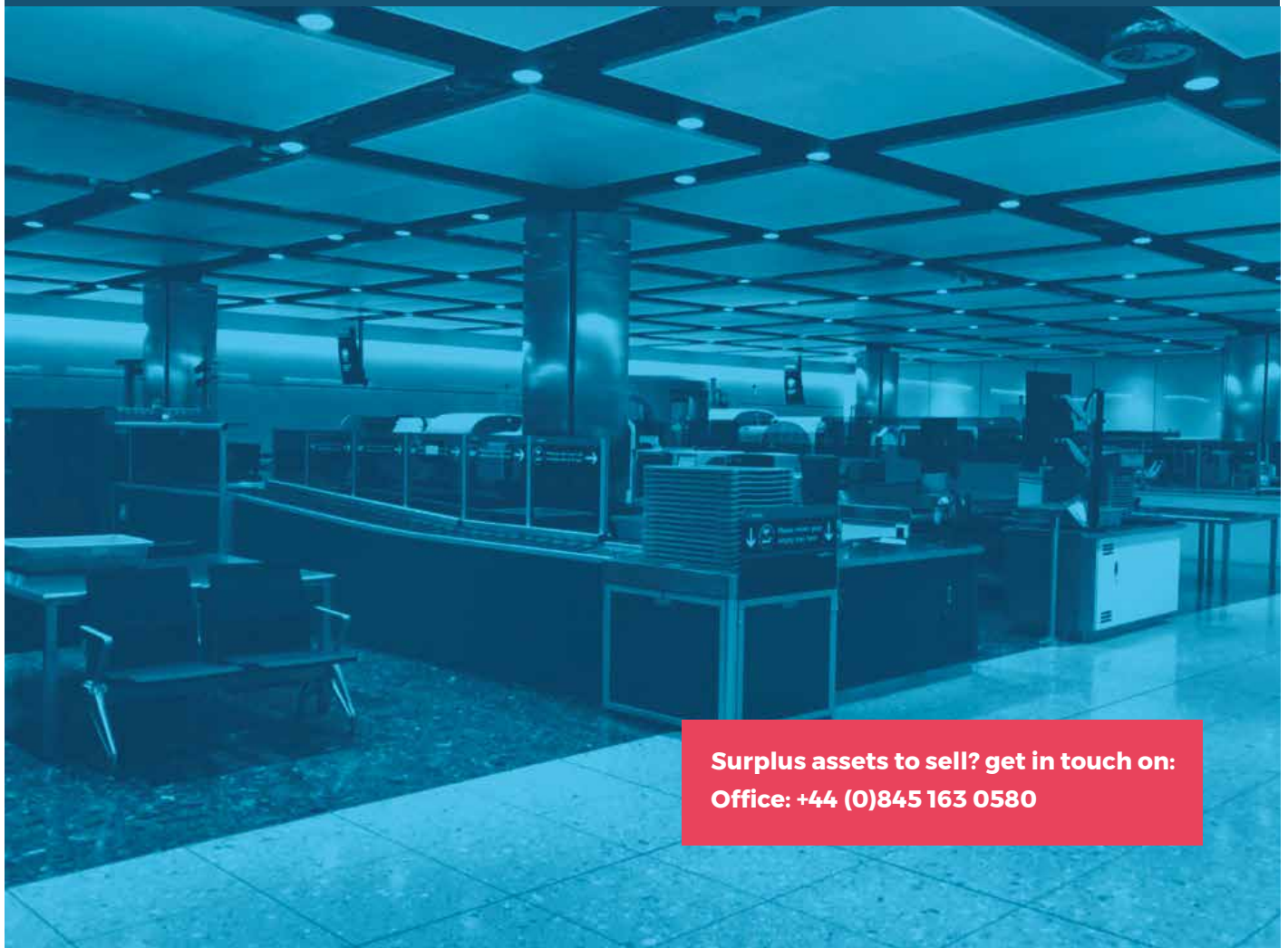
Mobile: +44 7713 111371

Email: apburns@cagp.com

Location: London (UK)

Tel: +44(0)845 163 0580

North America • South America • Europe • Asia • Africa - Australia



Surplus assets to sell? get in touch on:
Office: +44 (0)845 163 0580